



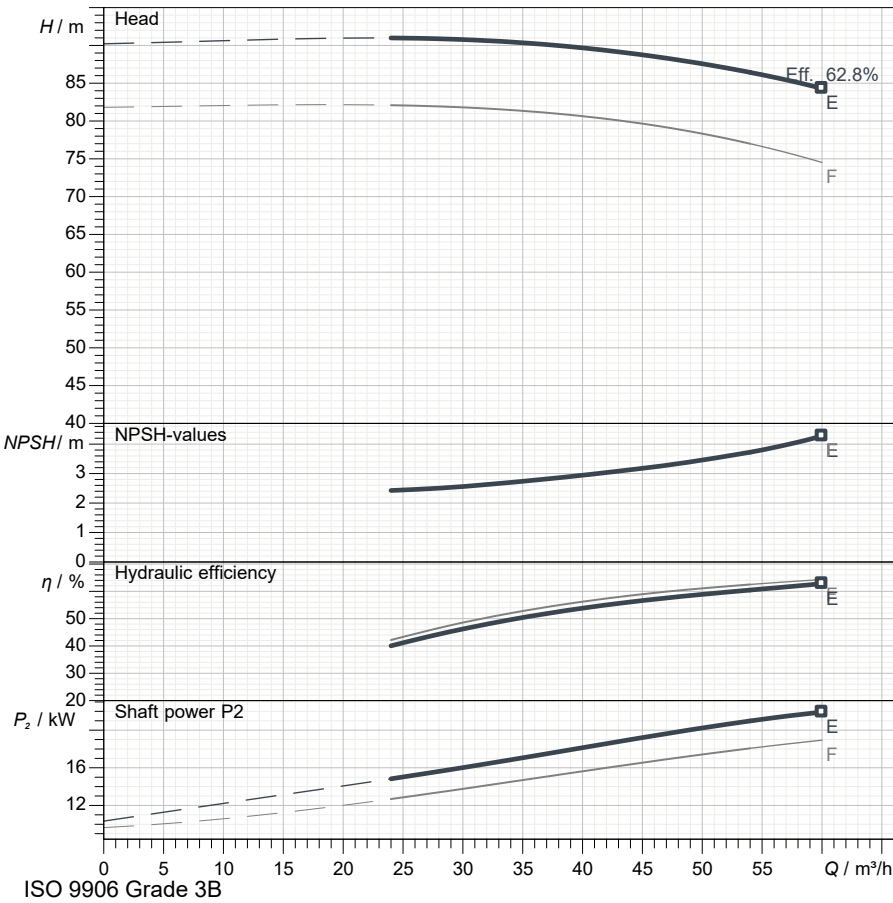
Product description

T1-50E-TW [3800 1/min]

Pos.no	Description	Item no	Qty.	UP / €	TP / €
1	Medium head single-stage pump				
2	Centrifugal pump: T1-50E-TW [3800 1/min]		1	Price on req.	Price on req.
3	<p>Pump bodies Horizontal single-stage scroll centrifugal pump with axial inlet and radially adjustable outlet.</p> <p>Duty point Flow : / Head :</p> <p>Pump operating data Impeller diameter : 205 mm / Speed : 3800 1/min Flow : / Head : Shaft power P2 : / Efficiency : Head (Q = 0) : 90.22 m PTO min-1 : 510 / Gear ratio : 7,58 Trolley : CT.1 / Three-point mounting : A1T</p> <p>Gear box : Cast iron PTO shaft : Case hardened steel PTO transmission gear : Case hardened steel Shaft pinion : Case hardened steel Impeller : Cast iron Pump body : Cast iron</p> <p>Max. solid contents : 40 g/m³ Max. water temperature : 60 °C Max. running time with Q=0 : 2 min</p>				
4	Shaft seal: Packed gland		1		
5	<p>Stuffing-box packing : Synthetic fibers Twinner system® : Stainless steel</p>				

Technical data

T1-50E-TW [3800 1/min]



Operating data specification	
Capacity	
Head	
Fluid	Pure water
Type of installation	<Single head pump>

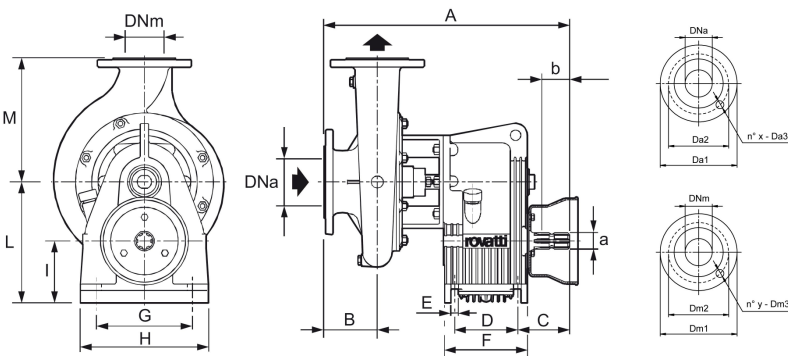
Pump operating data	
Design	T1-50E-TW [3800 1/min]
Impeller Ø	205 mm
Speed	3800 1/min
Flow	
Head	
Shaft power P2	
Efficiency	
Head (Q=0)	90.2 m
Non return valve loss	

Coupling	
Gear ratio	7,58
PTO	510 1/min
Trolley	CT.1
Three-point mounting	A1T

Use limits	
Max N° startings/hour	
Max. running time with Q=0	2 min
Max. solids contents	40 g/m ³
Max. pumped liquid temperature	60 °C
Maximum density	998 kg/m ³
Maximum viscosity	1 mm ² /s

Materials	
Gear box	Cast iron
PTO shaft	Case hardened steel
PTO transmission gear	Case hardened steel
Shaft pinion	Case hardened steel
Impeller	Cast iron
Pump body	Cast iron

Shaft seal	
Stuffing-box packing	Synthetic fibers
Twinner system®	Stainless steel

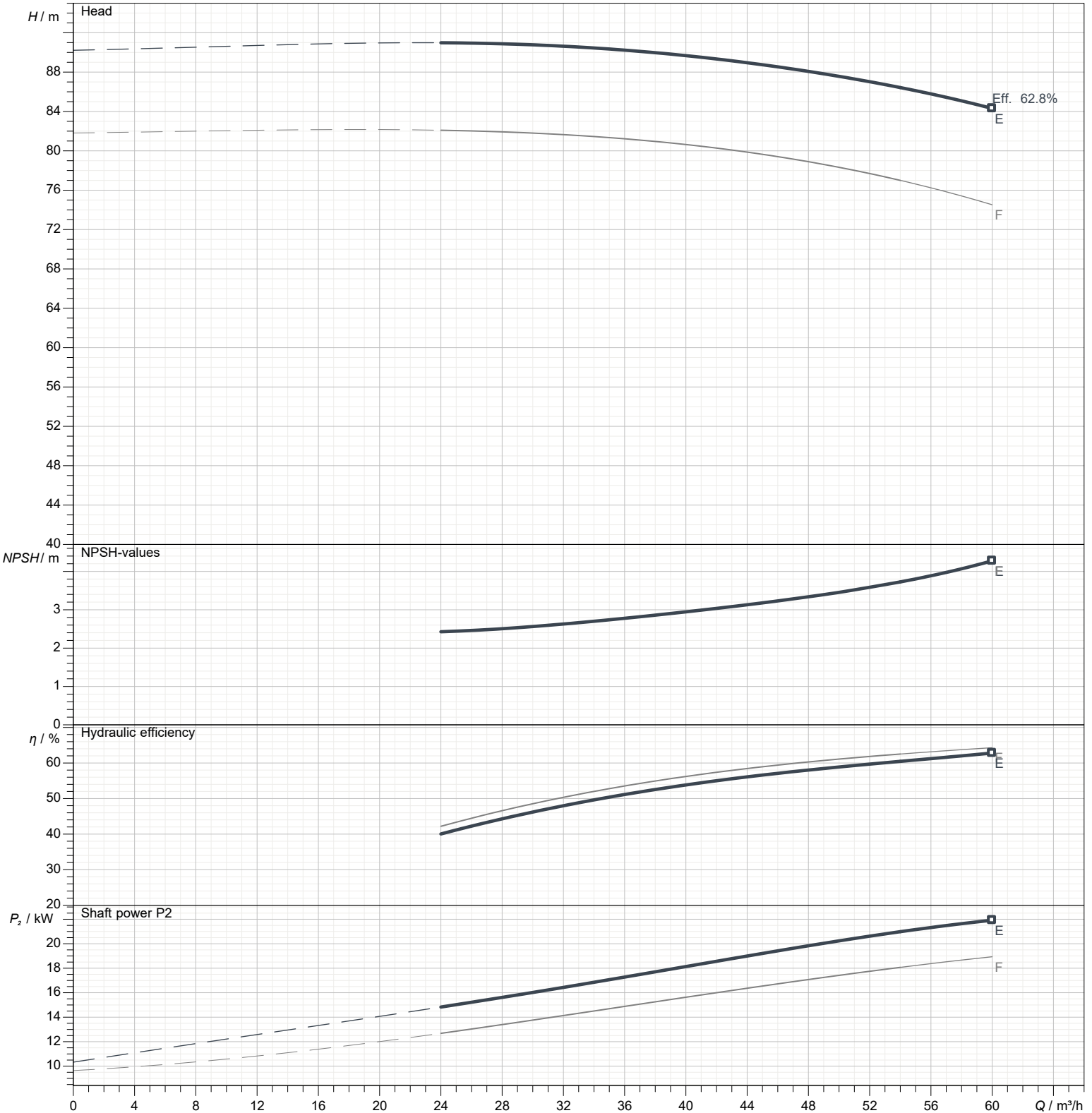


Dimensions in					mm		Total weight		46 kg	
a	1"3/8	Da3	18	G	185					
A	444	Dm1	160	H	210					
b	60	Dm2	125	I	105					
B	100	Dm3	18	L	199					
C	98	DNa	65	M	200					
D	110	DNr	50	x	4					
Da1	185	E	12	x	8					
Da2	145	F	147	y	4					

Performance curves

T1-50E-TW [3800 1/min]

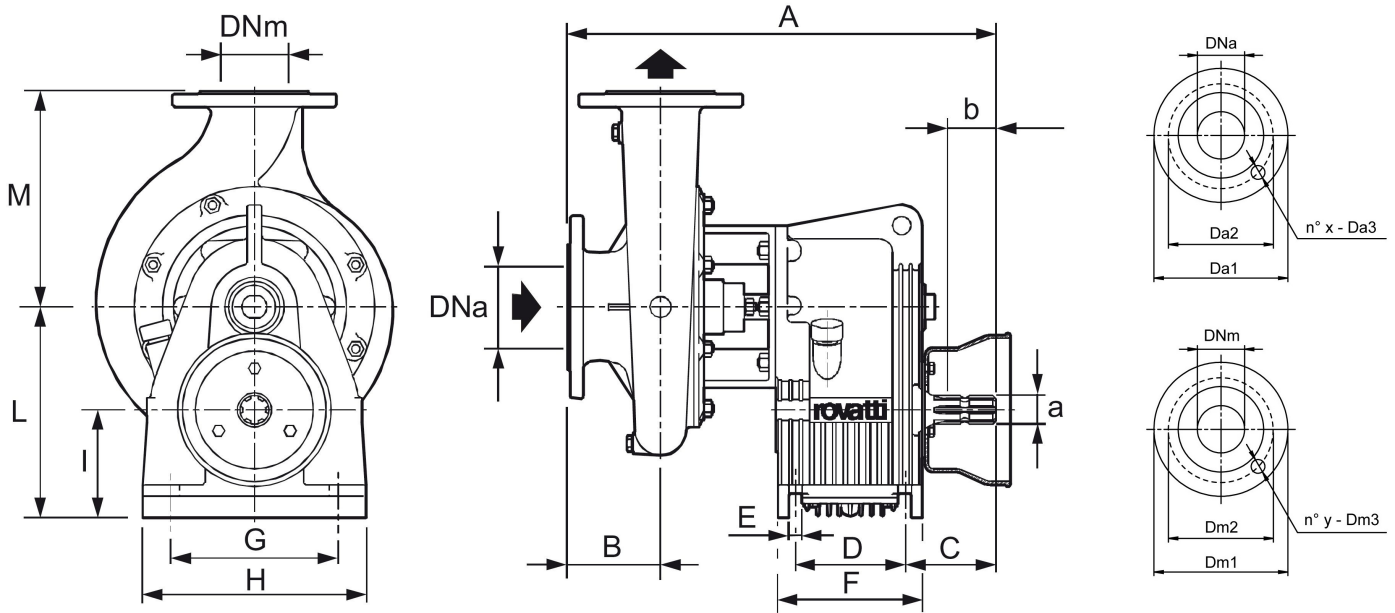
Performances				
Speed		3800 1/min	Density	998 kg/m ³
Flow	Min.	24 m ³ /h	Viscosity	1 mm ² /s
	Max.	54 m ³ /h		
Efficiency	Max.	60 m ³ /h	Temperature	20 °C
			Tolerances	ISO 9906 Grade 3B





Types of installation

T1-50E-TW [3800 1/min]



Total weight		46 kg		Dimensions in mm	
a	1"3/8	x	4		
A	444	x	8		
b	60	y	4		
B	100				
C	98				
D	110				
Da1	185				
Da2	145				
Da3	18				
Dm1	160				
Dm2	125				
Dm3	18				
DNa	65				
DNm	50				
E	12				
F	147				
G	185				
H	210				
I	105				
L	199				
M	200				